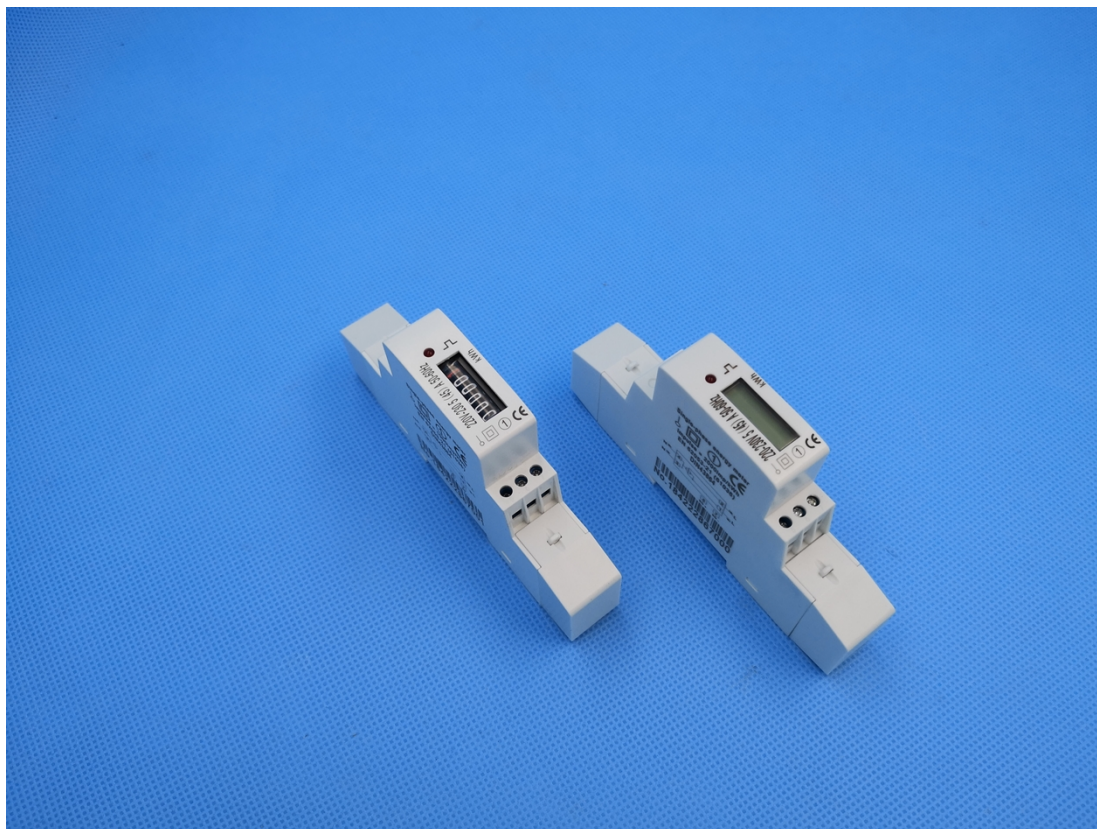


DDS238-1 single phase din rail type watt hour meter (D1102)



The meter is designed to measure single phase two wire AC active energy like residential, utility and industrial application. It is a long life meter with the advantage of high stability, high over load capability, low power loss and small volume.

Basic Function

- ★Mechanical step register 5+1 or LCD display 5+2 or 6+1
- ★Bi-directional total active energy measurement, reverse active energy measure in the total active energy
- ★ Pulse LED indicates working of meter, Passive pulse output with optical coupling isolation
- ★35mm din rail installation

Technical Data

Rate voltage	110V,120V,220V,230,240V
Working voltage range	0.8~1.2Un
Rate Current	5(40), 5(45)A
Frequency	50Hz or 60Hz ± 10%
Connection mode	Direct type
Display	mechanical step register or LCD display
Accuracy class	1.0
Power consumption	<1W/10VA
Start current	0.004Ib
AC voltage withstand	4000V/25mA for 60 sec

Noting : other voltage , current are also available . Other function also can be special design as customer requirement

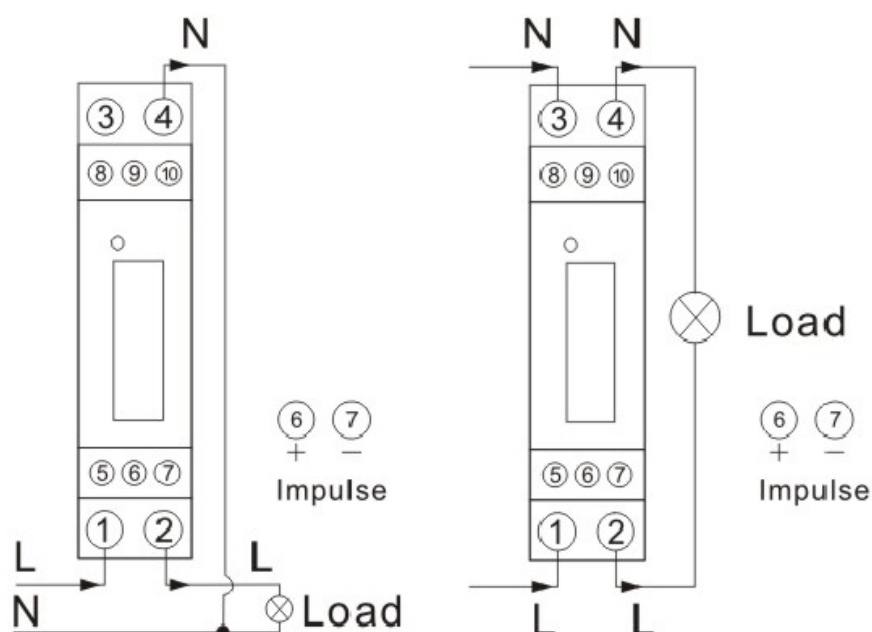
DDS238-1 single phase din rail type watt hour meter (D1102)

Impulse Voltage	6kV 1.2 μ s waveform
Over current withstand	30I _{max} for 0.01s
IP grade	IP20
Constant	1000 imp/kWh or 1600imp/kwh
Pulse output	Passive pulse, pulse width is 80 \pm 5 ms 5~27VDC, Max current input 27mA DC
Executive standard	DIN 43880, IEC62053-21, IEC62052-11
Outline dimension LXMxH	119x18x62mm (long terminal cover)
Weight	Approx 0.08kg

Environment

Operating temperature	-25 $^{\circ}$ C~55 $^{\circ}$ C
Storage temperature	-40 $^{\circ}$ C~80 $^{\circ}$ C
Reference temperature	23 $^{\circ}$ C \pm 2 $^{\circ}$ C
Relative humidity	0 to 95%, non-condensing
Altitude	Up to 2500m
Warm up time	10s
Mechanical Environment	M1
Electromagnetic Environment	E2
Degree of pollution	2

Wire connection

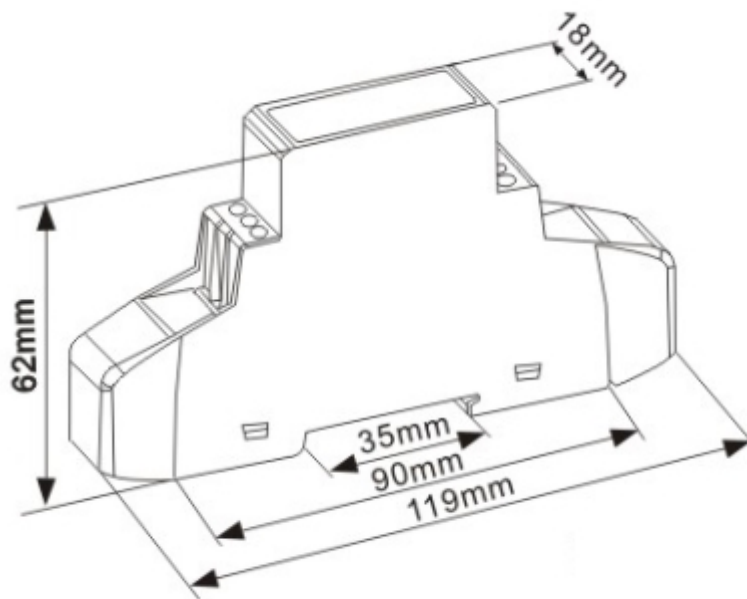


Note:the above wire connection all measure

Noting : other voltage , current are also available . Other function also can be special design as customer requirement

DDS238-1 single phase din rail type watt hour meter (D1102)

Outline dimension



Noting : other voltage , current are also available . Other function also can be special design as customer requirement