

## DDS238-1 single phase din rail type watt hour meter (D1101)



The meter is designed to measure single phase two wire AC active energy like residential, utility and industrial application. It is a long life meter with the advantage of high stability, high over load capability, low power loss and small volume.

### Basic Function

- ★LCD display 6+1(default) or 5+2
- ★Bi-directional total active energy measurement, reverse active energy measure in the total active energy
- ★ Pulse LED indicates working of meter, Passive pulse output with optical coupling isolation
- ★Energy data can store in memory chip more than 15 years after power off
- ★35mm din rail installation

### Optional Function

- ★Long terminal cover protection

### Technical Data

Rate voltage	110V,120V,220V,230,240V
Working voltage range	0.8~1.2Un
Rate Current	5(32), 5(30), 5(40)A
Frequency	50Hz or 60Hz ± 10%
Connection mode	Direct type
Display	LCD
Accuracy class	1.0
Power consumption	<1W/10VA
Start current	0.004Ib
AC voltage withstand	4000V/25mA for 60 sec

**Noting : other voltage , current are also available . Other function also can be special design as customer requirement**

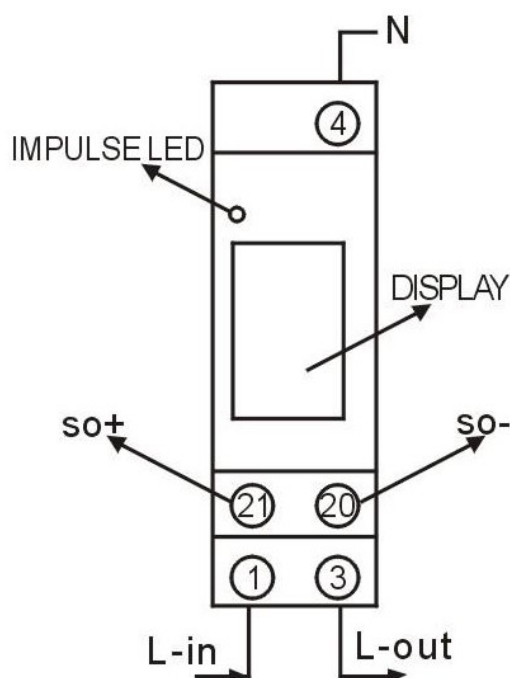
## DDS238-1 single phase din rail type watt hour meter (D1101)

Impulse Voltage	6kV 1.2 $\mu$ s waveform
Over current withstand	30I <sub>max</sub> for 0.01s
IP grade	IP20
Constant	2000~3200 imp/kWh
Pulse output	Passive pulse, pulse width is 80 $\pm$ 5 ms
Executive standard	DIN 43880, IEC62053-21, IEC62052-11
Outline dimension LXMxH	18x87x59.5mm (default) 18x109x59.5mm (long terminal cover)
Weight	Approx 0.07kg

## Environment

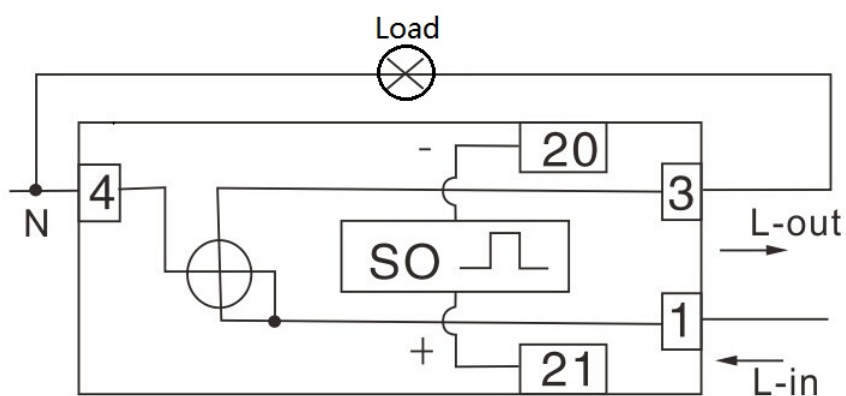
Operating temperature	-25 $^{\circ}$ C~55 $^{\circ}$ C
Storage temperature	-40 $^{\circ}$ C~80 $^{\circ}$ C
Reference temperature	23 $^{\circ}$ C $\pm$ 2 $^{\circ}$ C
Relative humidity	0 to 95%, non-condensing
Altitude	Up to 2500m
Warm up time	10s
Mechanical Environment	M1
Electromagnetic Environment	E2
Degree of pollution	2

## Wire connection

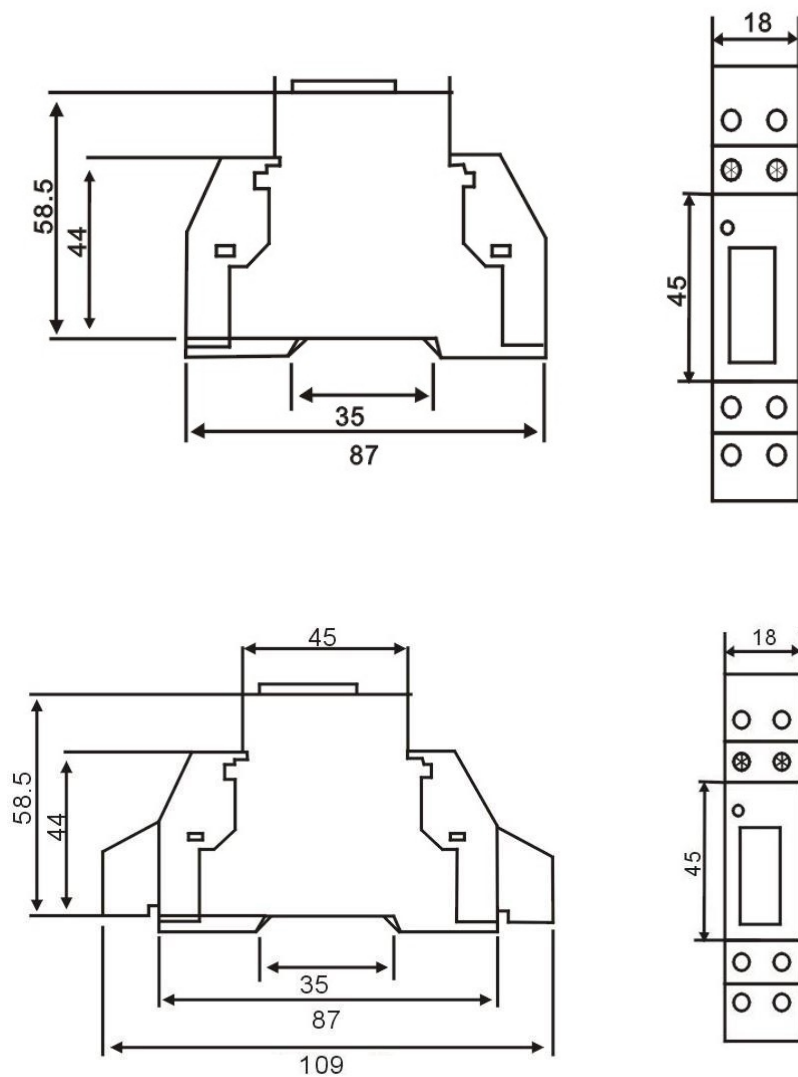


**Noting** : other voltage , current are also available . Other function also can be special design as customer requirement

## DDS238-1 single phase din rail type watt hour meter (D1101)



### Outline dimension



**Noting : other voltage , current are also available . Other function also can be special design as customer requirement**