

DDS238-4 ZN single phase din rail type multi-function watt hour meter (D1404)



The meter is designed to measure single phase two wire AC active energy with time of use(TOU) function(the power flow of sharp time, peak time, flat time and off-peak time) and variable parameter, it can use for residential, utility and industrial application. It has remote read communication port RS485. It is a long life meter with the advantage of high stability, high over load capability, low power loss and small volume.

Basic Function

- ★LCD display with blue backlight
- ★Bi-directional total active energy, reverse active energy measure in the total active energy
- ★The meter also display real voltage, real current, real power, real power factor, real frequency, import active energy, export active energy
- ★The meter has 4 kinds of tariff defined as sharp, peak, flat and off-peak. The meter can be programmed as single tariff, double tariff and three tariff or four tariff.
- ★The meter has 14 programmable interval tables, of which can set up to 14 intervals as four tariff during 24 hours, the minimum units of each tariff interval can be set up as 1 minute
- ★Energy frozen monthly(last 12 months), all data store for 10 years at power failure
- ★Keypad for LCD display step by step
- ★RS485 communication port, MODBUS-RTU protocol
- ★Pulse LED indicates working of meter, Pulse output with optical coupling isolation
- ★35mm din rail installation

Noting : other voltage , current are also available . Other function also can be special design as customer requirement

DDS238-4 ZN single phase din rail type multi-function watt hour meter (D1404)

Technical Data

Rate voltage	110V,120V,220V,230,240V
Working voltage range	0.8~1.2Un
Rate Current	5(60)A, 10(100)A, or special required
Frequency	50Hz or 60Hz±10%
Connection mode	Direct type
Display	LCD
Accuracy class	1.0
Power consumption	<0.5W/8VA
Start current	0.004Ib
AC voltage withstand	4000V/25mA for 60 sec
Impulse Voltage	6kV 1.2μs waveform
Over current withstand	30Imax for 0.01s
IP grade	IP20
Constant	800~3200 imp/kWh
Clock accuracy	<0.5s/day (23°C)
Pulse output	Passive pulse, pulse width is 80±5 ms
Communication port	RS485 port, baud rate 1200~9600 bps, default is 9600bps, address 1~247, None parity, stop bits 1, data bits 8 .
Executive standard	DIN 43880, IEC62053-21, IEC62052-11, MODBUS-RTU
Outline dimension LXMxH	75x88x73mm
Weight	Approx 0.36kg

Accuracy

Voltage	0.5%
Current	0.5%
Power Factor	1%
Active power	±1%
Reactive Power	±2%
Active Energy (kWh)	Class 1.0

Environment

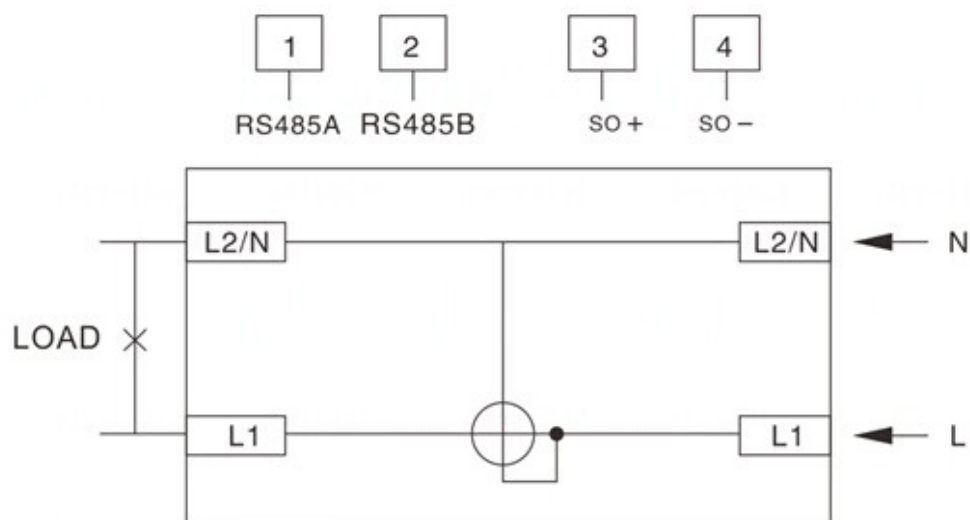
Operating temperature	-25°C~55°C
Storage temperature	-40°C~80°C
Reference temperature	23°C±2°C

Noting : other voltage , current are also available . Other function also can be special design as customer requirement

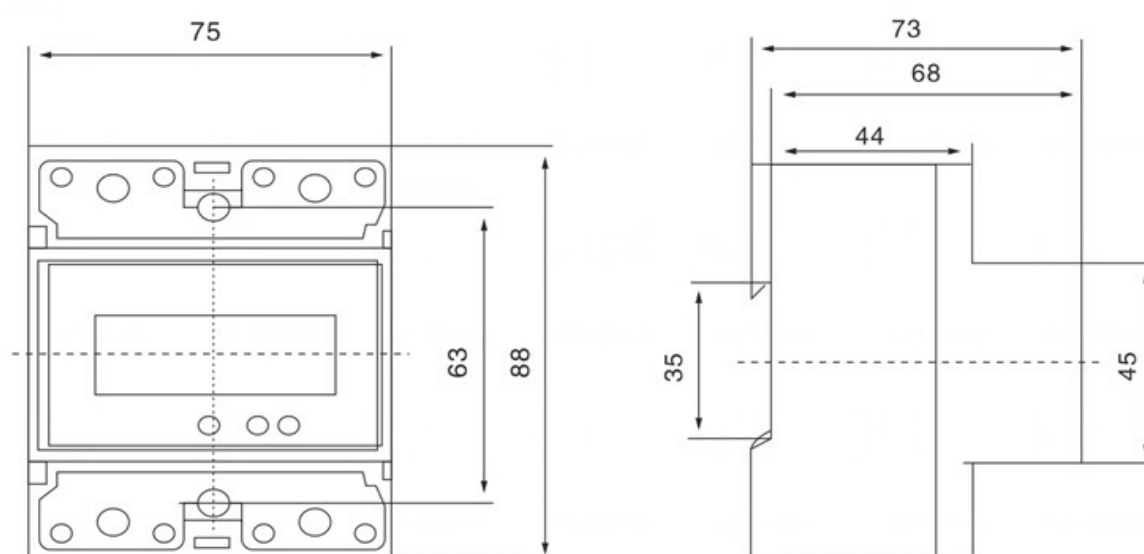
DDS238-4 ZN single phase din rail type multi-function watt hour meter (D1404)

Relative humidity	0 to 95%, non-condensing
Altitude	Up to 2500m
Warm up time	10s
Mechanical Environment	M1
Electromagnetic Environment	E2
Degree of pollution	2

Wire connection



Outline dimension



Noting : other voltage , current are also available . Other function also can be special design as customer requirement