

## DDS238 single phase static watt hour meter (E1207)



The meter is designed to measure single phase two wire AC active energy. It adopt LSI and SMT technology, the key component are long life international brand product. All of its functions comply with the relative technical requirement for class 1 single phase watt hour meter in IEC62053-21. It is a long life meter with the advantage of high stability, high over load capability, low power loss and compact size.

### Basic Function

- ★Mechanical step register 5 integers +1 decimal, anti-reverse protection,
- ★Bi-directional total active energy measurement, reverse active energy measure in the total active energy
- ★Pulse LED indicates working of meter, Pulse output with optical coupling isolation
- ★Insulated protective-class II, Case protective class IP54 by IEC60529
- ★Bakelite meter base, glass meter cover, ABS terminal cover

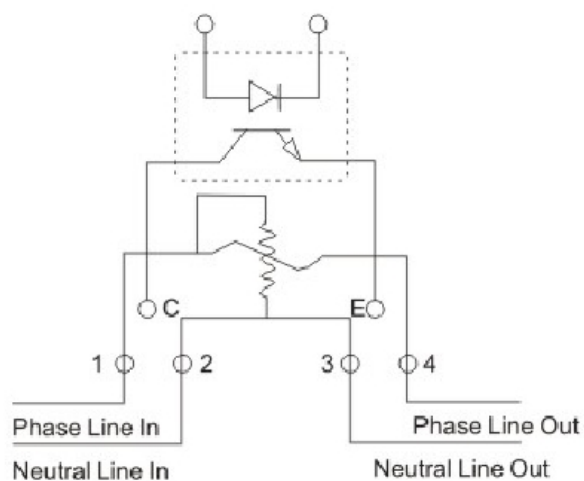
### Technical Data

Rate voltage	240V
Working voltage range	0.8~1.2Un
Rate Current	10(60)A
Frequency	60Hz±5%
Connection mode	Direct type
Display	mechanical step register
Accuracy class	1.0
Power consumption	<2W/10VA

## DDS238 single phase static watt hour meter (E1207)

Start current	0.004Ib
Constant	1600 imp/kWh
Pulse output	Passive pulse, pulse width is $80 \pm 5$ ms
Short time over-current	2000A
Voltage circuit	《1W/5VA
Current circuit	《0.2VA
AC voltage withstand	4000V/25mA for 60 sec
Impulse voltage withstand	1.2/50us pulse waveform 6kV
Executive standard	IEC62053-21, IEC62052-11
Work temperature	-30°C~75°C
Storage temperature	-40°C~80°C
Outline dimension LXXMH	189x150x73mm (long terminal cover)

### Wire connection



### Outline dimension

