

DDS238-S single phase solar system measure watt hour meter (E1206)



The meter is designed to measure single phase two wire AC active energy for solar system. It adopt LSI and SMT technology, the key component are long life international brand product. All of its functions comply with the relative technical requirement for class 1 single phase watt hour meter in IEC62053-21. It is a long life meter with the advantage of high stability, high over load capability, low power loss and compact size.

Basic Function

- ★ Bi-directional active energy measurement, reverse active energy measure display F99999.9 kWh, normal active energy display 999999.9 kWh
- ★ Pulse LED indicates working of meter, Pulse output with optical coupling isolation
- ★ Two type of cases(protective-class I and II) are available

Optional Function

- ★ Battery for display when power off
- ★ Ultrasonic weld sealing between meter cover and meter base, not used screw

Noting : other voltage , current are also available . Other function also can be special design as customer requirement

DDS238-S single phase solar system measure watt hour meter (E1206)

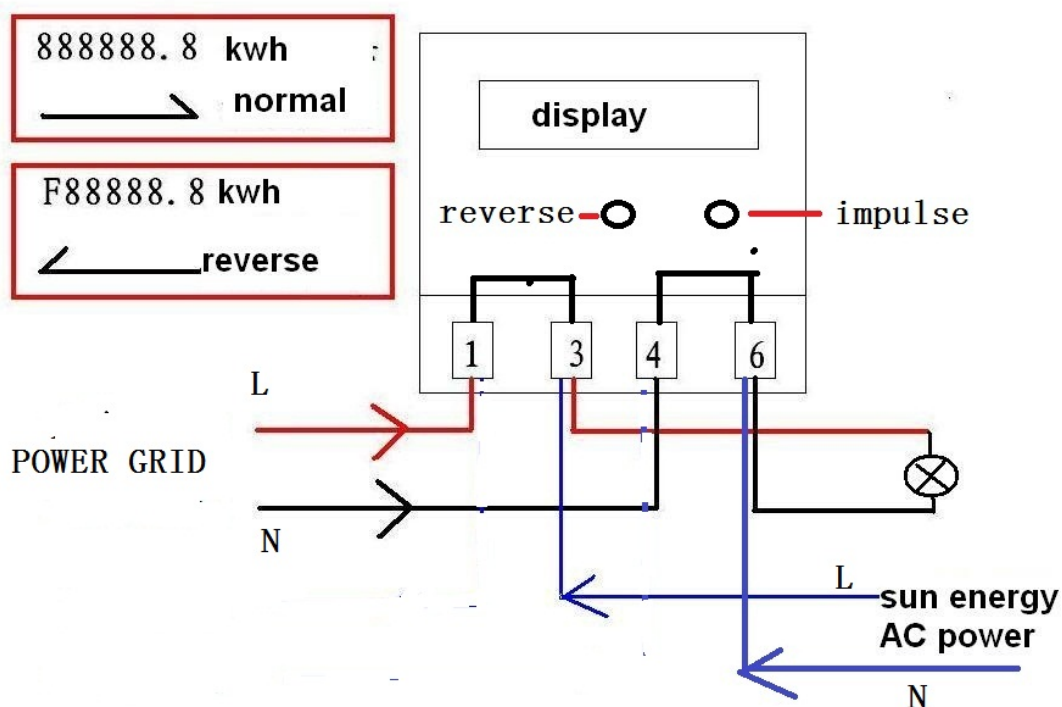
Technical Data

Rate voltage	110V,120V,220V,230,240V
Working voltage range	0.8~1.2Un
Rate Current	1.5(6)A,10(40)A, 5(60)A,10(100)A, or special required
Frequency	50Hz or 60Hz
Connection mode	Direct type
Display	LCD
Accuracy class	1.0
Power consumption	<2W/10VA
Start current	0.004Ib
AC voltage withstand	4000V/25mA for 60 sec
Impulse Voltage	6kV 1.2μs waveform
IP grade	IP54
Constant	800~6400 imp/kWh
Pulse output	Passive pulse, pulse width is 80 ± 5 ms
Executive standard	IEC61036, IEC62053-21, IEC62052-11
Work temperature	-30°C~70°C
Outline dimension LxMxH	145x105x50.5mm (short terminal cover L1) 175x105x50.5mm (Long terminal cover L2)
Weight	Approx 0.4kg

Display

when reverse current , the reverse LED will on.

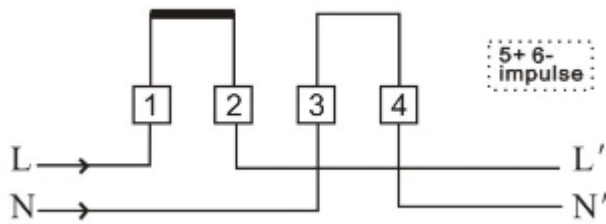
two ways measure for AC active energy



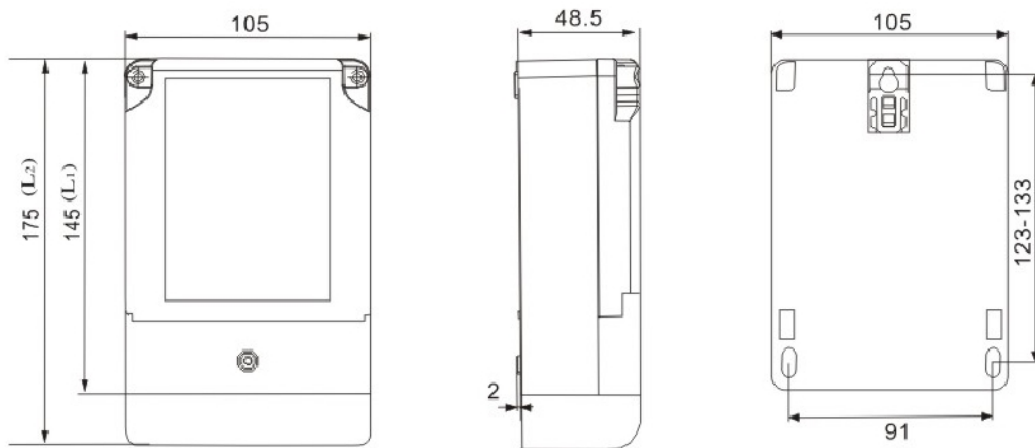
Noting : other voltage , current are also available . Other function also can be special design as customer requirement

DDS238-S single phase solar system measure watt hour meter (E1206)

Wire connection



Outline dimension



Noting : other voltage , current are also available . Other function also can be special design as customer requirement