

DDS238 single phase three wire static watt hour meter (E1311)



The meter is designed to measure single phase three wire AC active energy in north and south America market. It adopt LSI and SMT technology, the key component are long life international brand product. All of its functions comply with the relative technical requirement for class 1 single phase watt hour meter in IEC62053-21. It is a long life meter with the advantage of high stability, high over load capability, low power loss and compact size.

Basic Function

- ★Mechanical step register 5+1(default), 6+1, 5+2, 5 digit no decimal
- ★Bi-directional total active energy measurement, reverse active energy measure in the total active energy
- ★Reverse LED indicates the reverse current direction or wire reverse connect
- ★Power on LED indication
- ★Pulse LED indicates working of meter, Pulse output with optical coupling isolation
- ★Two type of cases(protective-class I and II) are available

Optional Function

- ★Ultrasonic weld sealing between meter cover and meter base, not used screw

Technical Data

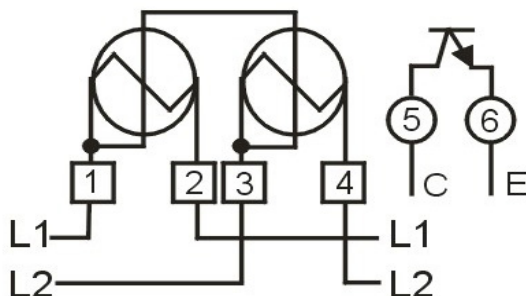
Rate voltage	110/220V, 120/240V
Working voltage range	0.8~1.2Un
Rate Current	5A/CT, 5(60)A, 10(100)A, or special required

Noting : other voltage , current are also available . Other function also can be special design as customer requirement

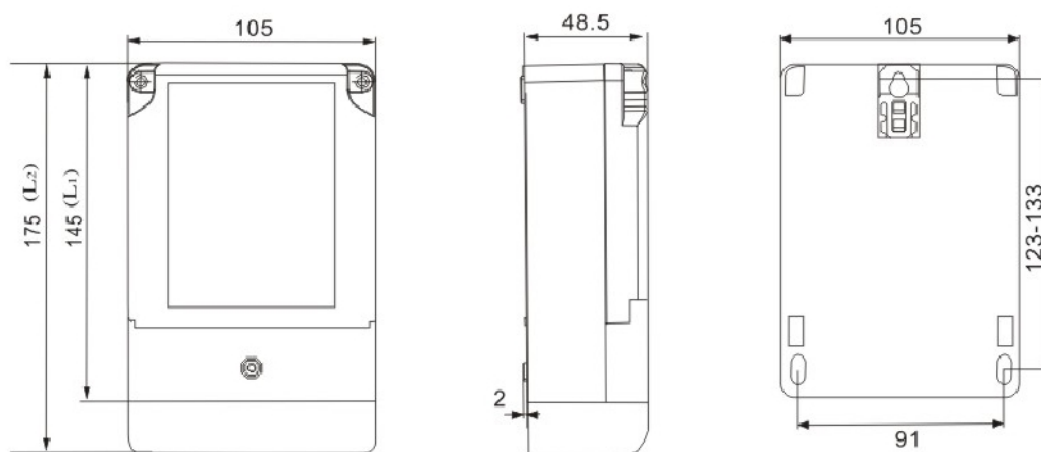
DDS238 single phase three wire static watt hour meter (E1311)

Frequency	60Hz
Connection mode	Direct type or CT type
Display	Mechanical step register or LCD
Accuracy class	1.0
Power consumption	<2W/10VA
Start current	0.004Ib
AC voltage withstand	4000V/25mA for 60 sec
Impulse Voltage	6kV 1.2 μ s waveform
IP grade	IP51 or IP54
Constant	800~3200 imp/kWh
Pulse output	Passive pulse, pulse width is 80 \pm 5 ms
Executive standard	IEC61036, IEC62053-21, IEC62052-11
Work temperature	-30 $^{\circ}$ C~70 $^{\circ}$ C
Outline dimension LXMXH	145x105x50.5mm (short terminal cover L1) 175x105x50.5mm (Long terminal cover L2)
Weight	Approx 0.5kg

Wire connection



Outline dimension



Noting : other voltage , current are also available . Other function also can be special design as customer requirement