

DTS238-4 ZN/S three phase din rail type multi-function watt hour meter(D3402)



The meter is used in three phase four wire power grid. The meter is designed to measure AC active energy and variable parameter. All of its functions comply with the relative technical requirement for class 1 three phase watt hour meter in IEC61036 and its data communication rules obey the requirement of DL/T645 or MODBUS-RTU. It is a long life meter with the advantage of high stability, high over load capability, low power loss and small volume.

Basic Function

- ★LCD display
- ★Bi-directional total active energy measurement, reverse active/energy measure in the total active/reactive energy
- ★The meter also display real voltage, real current, real power, real power factor, real frequency, import active energy, export active energy
- ★Pulse LED indicates working of meter, Pulse output with optical coupling isolation
- ★Loss phase indication in LCD
- ★RS485 communication port, MODBUS-RTU protocol
- ★35mm din rail installation

Noting : other voltage , current are also available . Other function also can be special design as customer requirement

DTS238-4 ZN/S three phase din rail type multi-function watt hour meter(D3402)

Optional Function

★Reset energy function(the reset energy kWh display is dependent with the total energy display, this reset will not affect the total energy)

★LCD display with backlight

Technical Data

Rate voltage	DTS238-4 ZN/S three phase four wire 3x127/220V, 3x120/208V, 3x220/380V, 3x230/400V, 3x240/415V
Working voltage range	0.8~1.2Un
Rate Current	5A/CT, 1.5(6)A, 5(60)A, 10(100)A, or other as required
Frequency	50Hz or 60Hz
Connection mode	CT type or Direct type
Display	LCD
Accuracy class	Active class 1.0
Power consumption	<2W/10VA/each phase
Start current	0.004Ib
Impulse Voltage	6kV 1.2μs waveform
Over current withstand	30I _{max} for 0.01s
IP grade	IP20
Constant	400~6400 imp/kWh
Pulse output	Passive pulse, pulse width is 80 ± 5 ms
Communication port	RS485 port, baud rate 1200~9600 bps, default is 9600bps, address 1~247, None parity, stop bits 1, data bits 8.
Executive standard	DIN 43880, IEC62053-21, IEC62052-11, MODBUS-RTU
Work temperature	-30°C~70°C
Outline dimension LXMxH	70x90x70mm
Weight	Approx 0.6kg

Accuracy

Voltage	0.5%
Current	0.5%
Power Factor	1%
Active power	± 1%
Reactive Power	± 2%
Active Energy (kWh)	Class 1.0

Environment

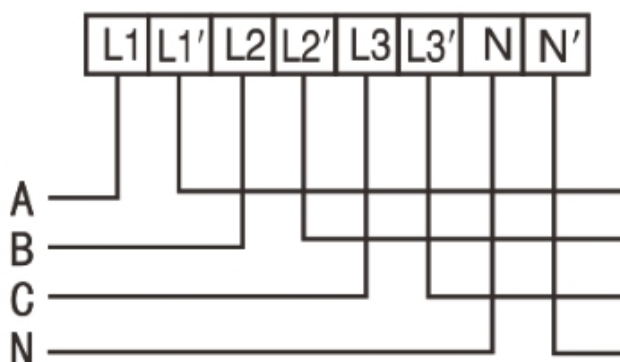
Noting : other voltage , current are also available . Other function also can be special design as customer requirement

DTS238-4 ZN/S three phase din rail type multi-function watt hour meter(D3402)

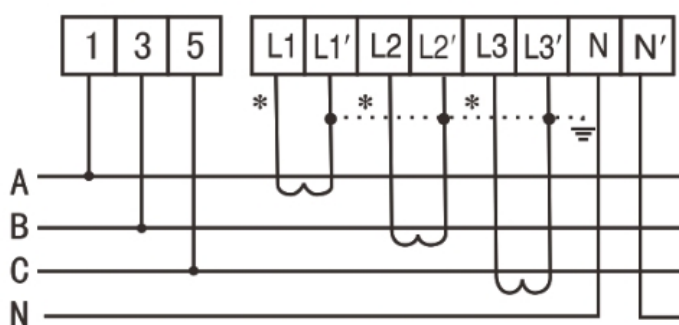
Operating temperature	-25°C~55°C
Storage temperature	-40°C~80°C
Reference temperature	23°C±2°C
Relative humidity	0 to 95%, non-condensing
Altitude	Up to 2500m
Warm up time	10s
Mechanical Environment	M1
Electromagnetic Environment	E2
Degree of pollution	2

Wire connection

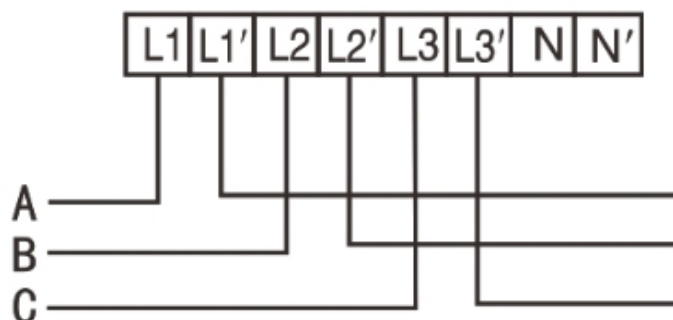
(1) three phase four wire direct connection



(2) three phase four wire through current transformer connection



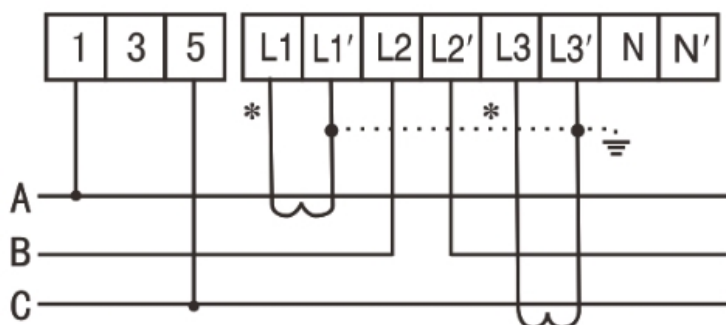
(3) three phase three wire direct connection



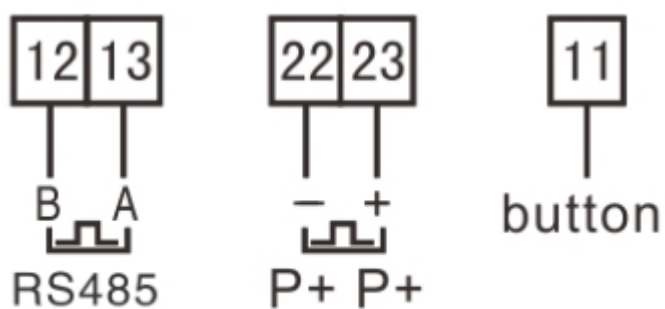
Noting : other voltage , current are also available . Other function also can be special design as customer requirement

DTS238-4 ZN/S three phase din rail type multi-function watt hour meter(D3402)

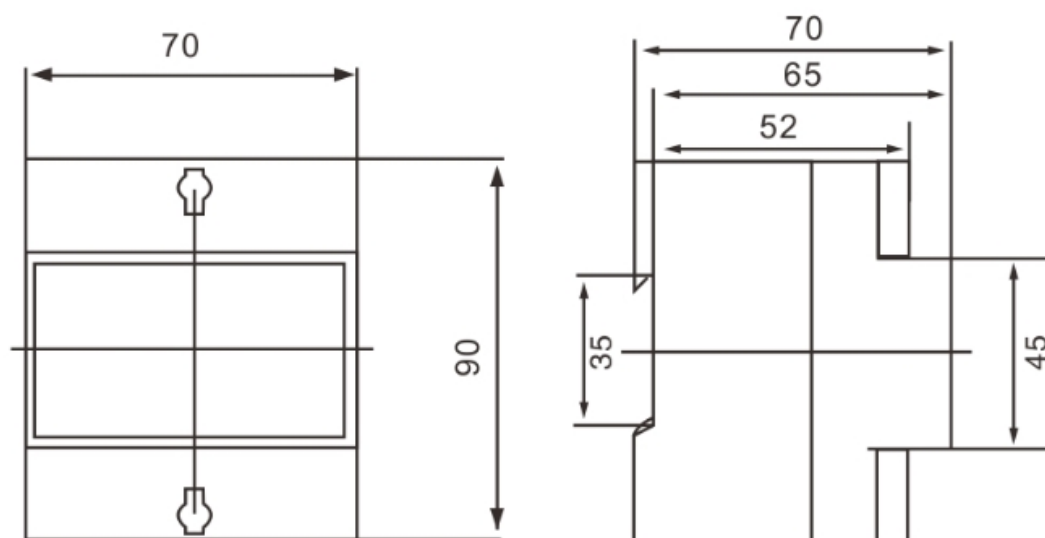
(4) three phase three wire through current transformer connection



Terminal function



Outline dimension



Noting : other voltage , current are also available . Other function also can be special design as customer requirement